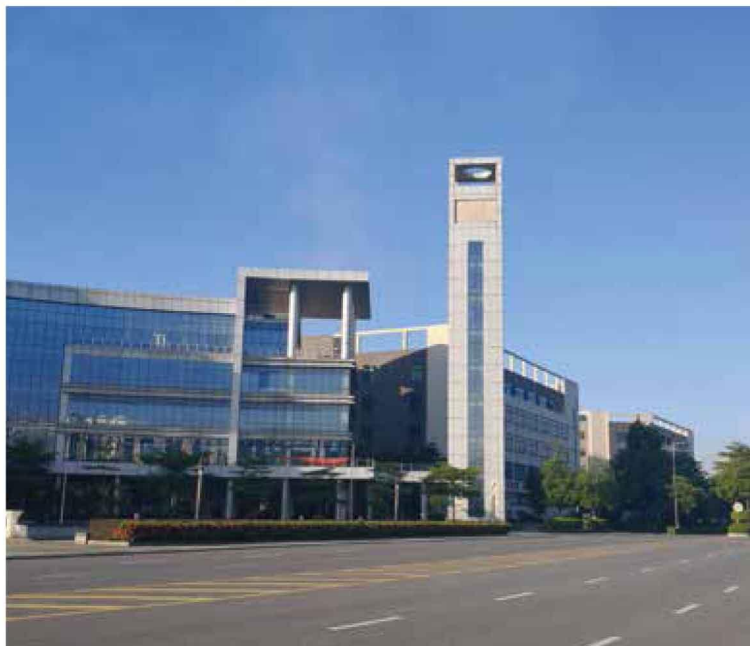




柯斯达流体技术(佛山)有限公司
Corstar Fluid Technology(Foshan) Co., Ltd.

高精度灌装整体解决方案
High Precision Filling Solution





柯斯达流体技术(佛山)有限公司是一家制造精密陶瓷计量泵的厂家，在陶瓷制造、设备配套、行业应用上拥有10年的实践经验，技术力量雄厚。目前，我们拥有旋转式电动柱塞泵、气动柱塞泵、伺服驱动柱塞泵等系列，专注于为客户提供一站式的精密灌装系统。一直以来，我们致力于提升产品的竞争力以及为客户提供最高效最优质的服务，做好产品是我们的宗旨，做好服务是我们的原则，我们立足长远，我们真抓实干。我司在产品研发上不遗余力，已陆续获得多项相关国家专利证书，并持续以市场需求为中心开发更多性能稳定、品质优良、高性价比的产品。柯斯达流体以诚信立天下，值得您的信赖。

Corstar Fluid Technology(Foshan) Co., Ltd. is a manufacturer of precision ceramics metering pump. It has 10 years of industry experience in ceramic manufacturing, matching and application, and has strong technical force. Focusing on providing customers with one-stop precision filling system, we have rotary electric plunger pumps series, pneumatic plunger pumps series, servo driven plunger pumps series and so on. Aiming to improve the competitiveness of products and providing customers with the most efficient and high-quality services, our company spares no effort in product research and development, and has obtained a number of relevant national patent certificates. Corstar Fluid Technology(Foshan) Co., Ltd. stands in the world with sincerity, which is worthy of your trust.

我们的优势 Our Advantages

强大的技术支持 Strong technical support	稳定耐用的产品 Stable and durable products	高效的售后服务 Efficient after0sales service
专业的技术团队为您提供最优方案 Professional technical team to provide you with the best solution	专注研发，不断创新，严格质检 Focus on R&d, Continuous innovation and Strict Quality Inspection	快速回应，极速支援 Quick response, quick support

我们的服务

- 一、提供完善的陶瓷泵定制服务。
- 二、提供包装设备配套的陶瓷泵产品和服务。
- 三、提供陶瓷泵整体解决方案及产品。
- 四、保证及时的交期和售后服务。

Our services

1. Provide perfect customized service for ceramic pumps.
2. Provide ceramics pump products and services for packing equipment.
3. Provide the overall solution and products of ceramic pumps.
4. Guarantee timely delivery and after-sales service.

Focus on high precision filling solution

什么是陶瓷柱塞泵？为什么选择陶瓷泵？

陶瓷柱塞泵是用高纯工业陶瓷原料制成的柱塞式计量泵。

它具有以下特点：

- 一、陶瓷柱塞由高性能陶瓷材料制成，具有高硬度、高耐磨性、耐高温性、耐腐蚀性和对物料无污染等优点。
- 二、在多种计量泵中，陶瓷泵的精度最高，可以达到千分之三，并保持长期的稳定性和高度的重复一致性。
- 三、通过独特的加工手段获得的陶瓷柱塞工作面微孔结构具有自润滑作用，无需使用密封圈。
- 四、采用先进的高精度内、外圆磨床将腔体内表面和柱塞表面加工成镜面，腔体内表面采用无死角、无沟槽的流体结构，便于清洗消毒。
- 五、泵体结构采用316L不锈钢通过特定工艺和陶瓷连接，不存在其他任何杂质，方便拆卸。
- 六、该产品经耐腐蚀、耐酸碱和安全性能测试，各项指标均达到国外同类产品水标准。

What is a ceramic plunger pump? Why choose ceramic pump?

Ceramic plunger pump is a plunger metering pump which is made of high purity industrial ceramics.

It has the characteristics as follow:

1. Ceramic plungers are made of high-performance ceramic materials, which have the advantages of high hardness, high wear resistance, high temperature resistance, corrosion resistance and no pollution to materials.
2. Among various metering pumps, ceramic pumps have the highest accuracy, which can reach $\pm 3\%$, and maintain long-term stability and high repetition consistency.
3. The micro-porous structure of ceramic plunger working face obtained by unique processing means has self-lubricating effect, and no sealing ring is needed.
4. The surface of cavity and plunger is machined into mirror by advanced high-precision internal and external grinder. The surface of cavity is made of fluid structure without dead angle and groove, which is convenient for cleaning and disinfection.
5. The pump body structure is made of 316L stainless steel, which is connected with ceramics through a specific process. There are no other impurities and it is easy to disassemble.
6. The product has been tested for corrosion resistance, acid and alkali resistance and safety performance, and all the indexes have reached the water standard of the same kind of product abroad.





X2系列 陶瓷泵总成

X2 Series Ceramic Pump Integration

X2 Series Ceramic Pump Integration is a type of precision metering pump that utilizes the rotary motion of a plunger to meter or deliver chemical liquids and high-purity fluids with high accuracy and repeatability. The axial linear motion is generated based on the adjustable pump head angle during the plunger's rotation, enabling precise stroke adjustment to control input and output. This series of metering pumps achieves a very high level of metering accuracy and repeatability, with an accuracy better than $\pm 0.5\%$.

Application:

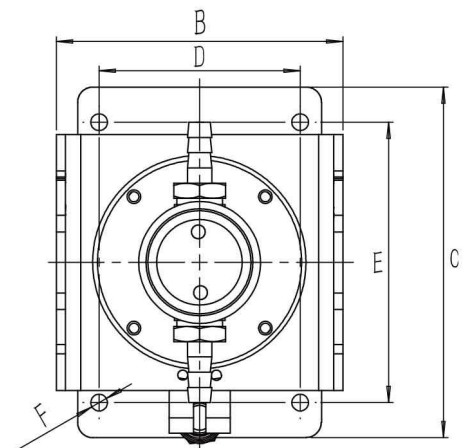
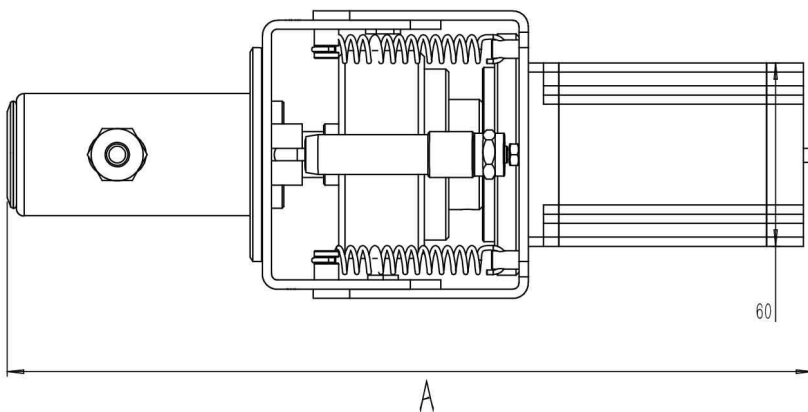
Suitable for packaging machine filling and retrofitting, and suitable for filling low to medium viscosity homogeneous liquid materials such as electrolytes, medicine, biochemical reagents, chemical fluids, essential oils, liquid essences, emulsions, perfumes, nail polish, etc.



X2-21

Parameter:

Model	Filling range	Accuracy	Speed RPM	Motor	Power	Sensor	Size of the pump(mm)					
							A	B	C	D	E	F
X2-03	4ul~80ul	$\pm 2ul$	0-200	42 type	AC220V 50/60Hz	5~24V NPN	132.86	53.4	75	28	65	4- $\phi 4.3$
X2-06	10~140ul						132.86	53.4	75	28	65	4- $\phi 4.3$
X2-09	20~240ul						132.86	53.4	75	28	65	4- $\phi 4.3$
X2-12	50~700ul	$\pm 5ul$	0-120	57 type			201.12	75	90	46	72	4- $\phi 4.5$
X2-15	0.2~1.5ml						201.12	75	90	46	72	4- $\phi 4.5$
X2-18	0.2~2.9ml						263.5	94	115	66	92	4- $\phi 5.5$
X2-21	0.6~6ml	$\pm 0.5\%$	0-80	86 type			263.5	94	115	66	92	4- $\phi 5.5$
X2-24	1~12ml						287.6	116	132	86	118	4- $\phi 5.5$
X2-27	2~25ml						287.6	116	132	86	118	4- $\phi 5.5$





Q-R系列 陶瓷泵总成

Q-R Series Ceramic Pump Integration

Q-R Series Ceramic Pump Integration is designed for medium-to-high viscosity liquids, creams, and homogeneous materials (1000-100,000 CPS), as well as quantitative infusion of materials containing certain particles. This pump has high metering accuracy and repeatability, with precision better than $\pm 0.8\%$. The metal part in contact with the material uses 316L stainless steel and ceramic for better corrosion resistance. It adopts a quick-disassembly connection method for easy disassembly, cleaning, and meets the cleaning requirements of food hygiene standards.

Application:

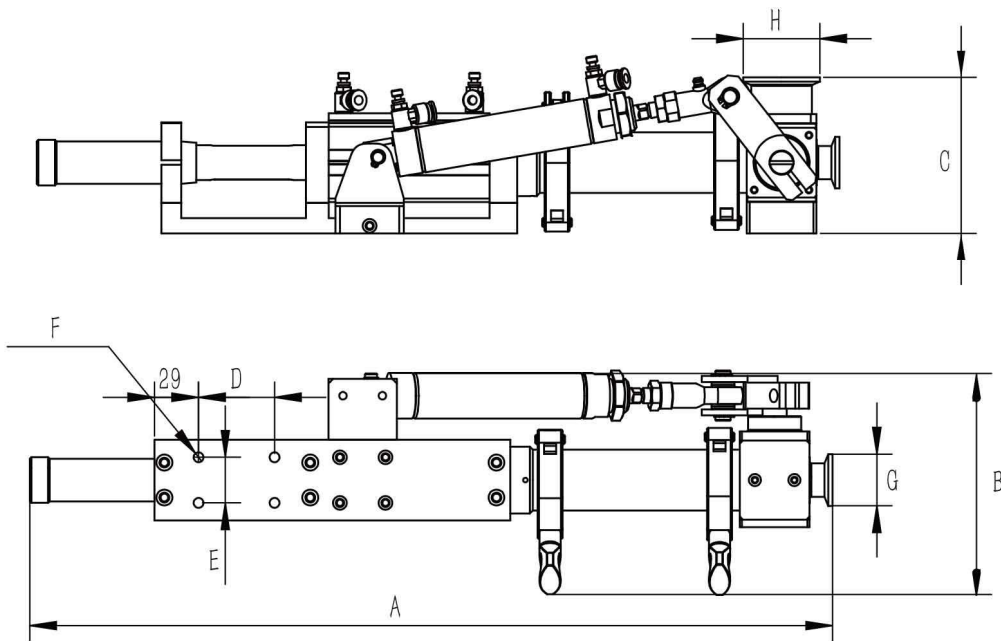
It can be used for packaging machine filling and retrofitting. It is suitable for infusing medium-to-high viscosity homogeneous liquid materials such as creams, honey, electrolytes, pharmaceuticals, biochemical reagents, chemical liquids, essential oils, emulsions, perfumes, and nail polish. It can be used with multi-position bag packaging machines, multi-column packaging machines, blister packing machines, and other equipment.



Q-50R

Parameter:

Model	Plunger diameter	Stroke	Volume ml	Accuracy	Speed CPM	Size of the pump(mm)							
						A	B	C	D	E	F	G	H
Q-12R	15	70	1-12	$\pm 0.5-1\%$	40-60	522	118.1	116.50	50	30	$\phi 5.5$	$\phi 26$	$\phi 50.50$
Q-25R	23		2-25			522	118.1	116.50	50	30	$\phi 5.5$	$\phi 26$	$\phi 50.50$
Q-50R	32		5-50			522	118.1	116.50	50	30	$\phi 5.5$	$\phi 26$	$\phi 50.50$
Q-100R	44		10-100			664	137	137	90	30	M6	$\phi 34$	$\phi 50.50$
Q-200R	50	110	20-200			827	163.5	163	90	95	$\phi 9$	$\phi 34$	$\phi 64$
Q-300R	64	100	30-300			786	167.5	163	90	95	$\phi 9$	$\phi 34$	$\phi 64$



Q-S series ceramic pump integration adopts precision ceramic plunger design, suitable for quantitative injection of low-viscosity liquids. The pump has high metering accuracy and repeatability, with an accuracy better than $\pm 0.8\%$. The metal part in contact with the material is made of 316L stainless steel and ceramic, which has better corrosion resistance. Fully quick-release connections are easy to disassemble and clean, which is in line with the cleaning requirements of food hygiene standards.

Application

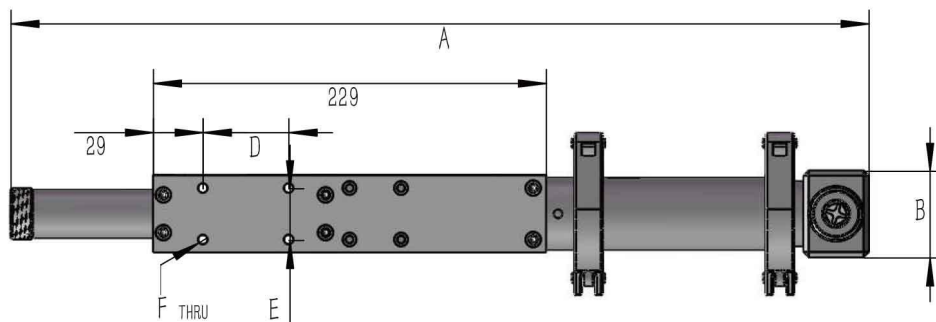
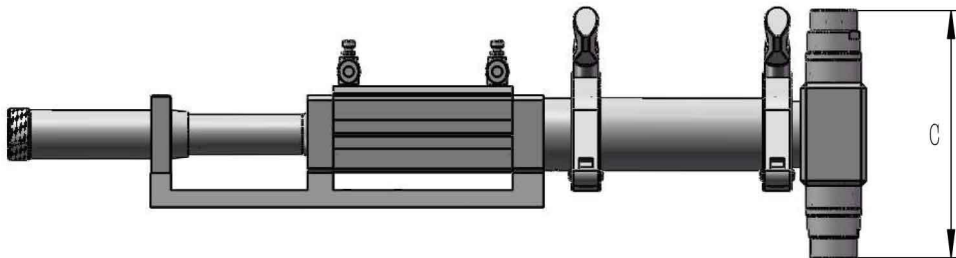
It can be used for supporting and transforming the filling part of the packaging machine. It is suitable for infusing low-viscosity homogeneous liquid materials such as electrolytes, medicinal liquids, biochemical reagents, chemical liquids, essential oils, essences, and perfumes. It can be used with packaging equipment such as multi-station bag packing machines, multi-column packaging machines, and blister machines.



Q-12S

Parameter

Model	Plunger diameter	Stroke	Volume ml	Accuracy	Speed CPM	Size of the pump(mm)					
						A	B	C	D	E	F
Q-12S	15	70	1-12	$\pm 0.8-1\%$	40-60	500	50.50	141	50	30	$\phi 5.5$
Q-25S	23		2-25			500	50.50	141	50	30	$\phi 5.5$
Q-50S	32		5-50			500	50.50	141	50	30	$\phi 5.5$
Q-100S	44		10-100			527	50.50	195	90	35	M6
Q-200S	50	110	20-200			747	50.50	195	350	95	$\phi 9$
Q-300S	64	100	30-300			705	75	195	350	95	$\phi 9$



QD-R series ceramic pump integration adopts precision ceramic plunger design, suitable for medium to high viscosity liquids, homogeneous creams (1000-100,000CPS) and quantitative perfusion of materials containing certain particles. The pump uses a servo screw to control the filling volume. It only needs to be set on the control screen without manual intervention. It has high measurement accuracy and repeatability, and the accuracy is better than $\pm 0.8\%$. The metal part in contact with the material is made of 316L stainless steel and ceramic, which has better corrosion resistance. Fully quick-release connection, easy to disassemble and clean, in line with the cleaning requirements of food hygiene standards.

Application

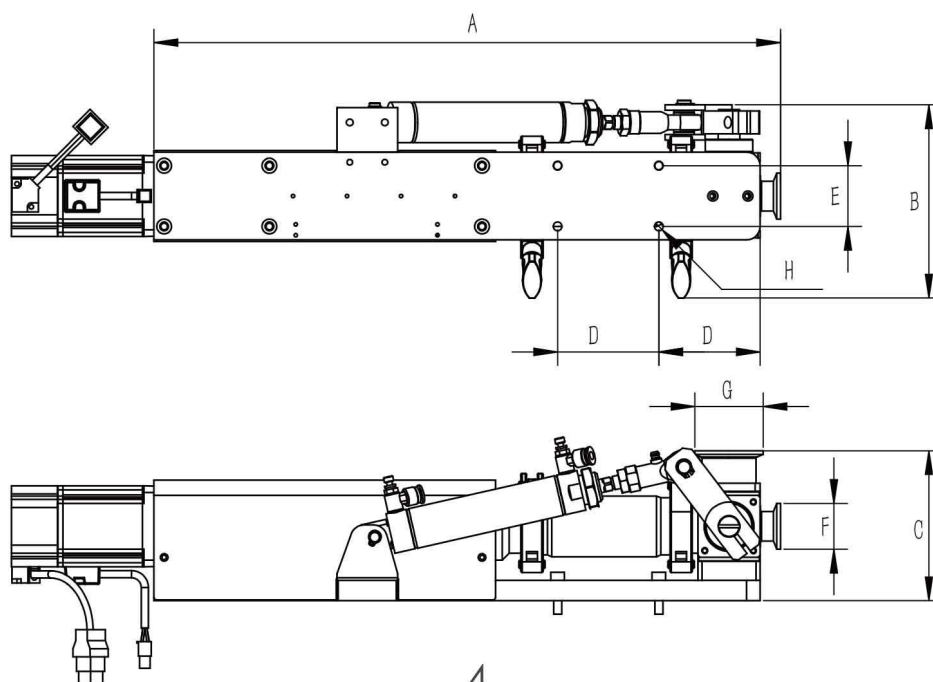
It can be used for supporting and transforming the filling part of the packaging machine. It is suitable for pouring cream, honey, electrolyte, medicinal liquid, biochemical reagent, chemical liquid, essential oil, essence, lotion, perfume, nail polish and other medium and high viscosity homogeneous liquid materials. It can be used with multi-station bagging machines, multi-row packaging machines, blister machines and other equipment.



QD-25R

Parameter

Model	Plunger diameter	Stroke	Volume ml	Accuracy	Speed CPM	Size of the pump(mm)							
						A	B	C	D	E	F	G	H
QD-12R	15	70	1-12	$\pm 0.5-1\%$	30-40	449	97.50	153	75	45	$\phi 26$	$\phi 50.50$	$\phi 6.5$
QD-25R	22		2-25			449	97.50	153	75	45	$\phi 26$	$\phi 50.50$	$\phi 6.5$
QD-50R	32		5-50			449	97.50	153	75	45	$\phi 26$	$\phi 50.50$	$\phi 6.5$
QD-100R	44		10-100			511	97.50	164.2	120	45	$\phi 34$	$\phi 50.50$	$\phi 6.5$
QD-200R	50	110	20-200			685	160	185	130	90	$\phi 34$	$\phi 64$	$\phi 9$
QD-300R	70	100	30-300			499	160	185	130	90	$\phi 34$	$\phi 64$	$\phi 9$





QD-S系列 陶瓷泵总成

QD-S Series Ceramic Pump Integration

QD-S series ceramic pump integration adopts a precision ceramic plunger design, which is suitable for quantitative injection of low-viscosity liquids. The pump uses a servo screw to control the filling volume. It only needs to be set on the control screen without manual intervention. It has high measurement accuracy and repeat consistency, and the accuracy is better than $\pm 0.8\%$. The metal part in contact with the material is made of 316L stainless steel and ceramic, which has better corrosion resistance. Fully quick-release connection is easy to disassemble and clean, which is in line with the cleaning requirements of food hygiene standards.

Application:

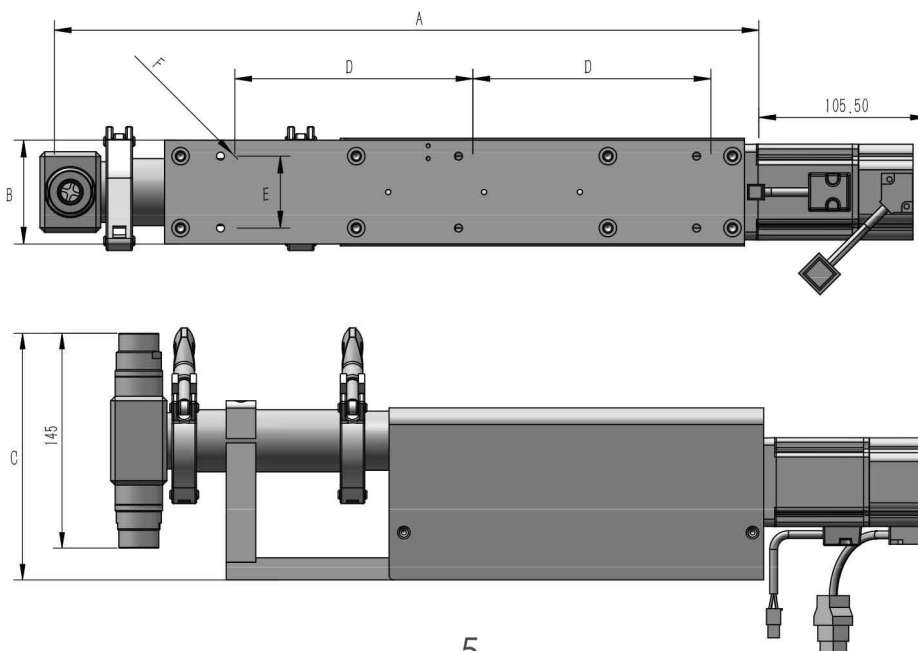
It can be used for supporting and transforming the filling part of the packaging machine. It is suitable for infusing low-viscosity homogeneous liquid materials such as electrolytes, medicinal liquids, biochemical reagents, chemical liquids, essential oils, essences, and perfumes. It can be used with packaging equipment such as multi-station bag packing machines, multi-column packaging machines, and blister machines.



QD-100S

Parameter:

Model	Plunger diameter	Stroke	Volume ml	Accuracy	Speed CPM	Size of the pump(mm)					
						A	B	C	D	E	F
QD-12S	15	70	1-12	$\pm 0.8-1\%$	30-40	441	65	141	190	50	M6
QD-25S	23		2-25			441	65	141	190	50	M6
QD-50S	32		5-50			441	65	141	190	50	M6
QD-100S	44		10-100			469	65	195	190	45	M6
QD-200S	50	110	20-200			639	123	197.5	110	90	$\phi 9$
QD-300S	64	100	30-300			639	123	197.5	110	90	$\phi 9$





HB-R系列 陶瓷泵总成

HB-R Series Ceramic Pump Integration

HB-R ceramic pneumatic pump integration adopts precision ceramic plunger design, suitable for medium and high viscosity liquids, homogeneous creams (1000-100,000CPS) and quantitative perfusion of materials containing certain particles. The pump has high metering accuracy and repeatability, with an accuracy better than $\pm 0.8\%$. The metal part in contact with the material is made of 316L stainless steel and ceramic, which has better corrosion resistance.

Industry application:

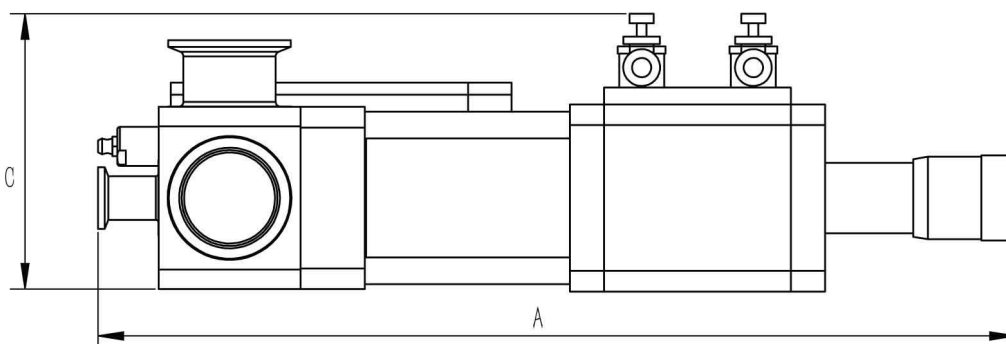
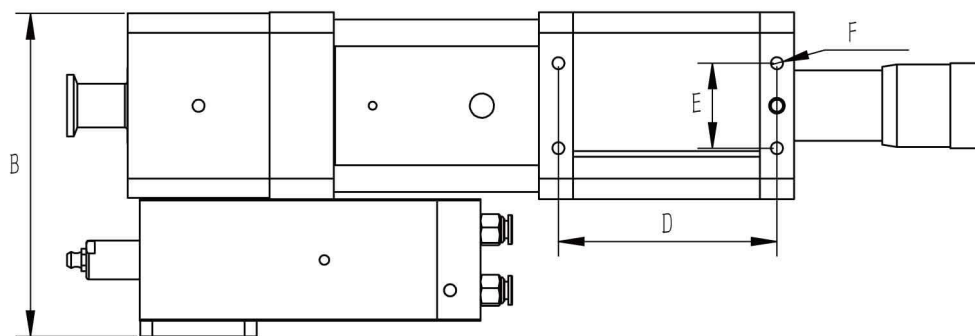
It can be used for supporting and transforming the filling part of the packaging machine. It is suitable for cream, honey, electrolyte, medicinal liquid, biochemical reagent, chemical liquid, essential oil, essence, lotion, perfume, nail polish and other medium and high viscosity homogeneous liquid materials. It can be used with multi-station bag packing machines, multi-row packaging machines, blister machines and other equipment.



HB-50R

Parameter

Model	Plunger diameter	Stroke	Volume ml	Accuracy	Speed CPM	Size of the pump(mm)						
						A	B	C	D	E	F	G
HB-10R	25	25	1-10	$\pm 0.5-1\%$	40-60	276.50	133.5	106.60	91	35	$\phi 26$	$\phi 50.50$
HB-30R	42		3-30			276.50	133.5	106.60	91	35	$\phi 26$	$\phi 50.50$
HB-50R	54		5-50			276.50	133.5	106.60	91	35	$\phi 26$	$\phi 50.50$
HB-100R	54	50	10-100			351.5	133.5	106.60	116	35	$\phi 50.50$	$\phi 50.50$
HB-200R	56	90	20-200			454	149.5	123.2	165	40	$\phi 50.50$	$\phi 64$
HB-300R	70		30-300			454	149.5	123.2	165	40	$\phi 50.50$	$\phi 64$





HB-S系列 陶瓷泵总成

HB-S Series Ceramic Pump Integration

HB-S ceramic pneumatic pump integration adopts precision plunger design, which is suitable for quantitative injection of low-viscosity liquids. The pump has high metering accuracy and repeatability, with an accuracy better than $\pm 0.8\%$. The metal part in contact with the material is made of 316L stainless steel and ceramic, which has better corrosion resistance.

Industry application:

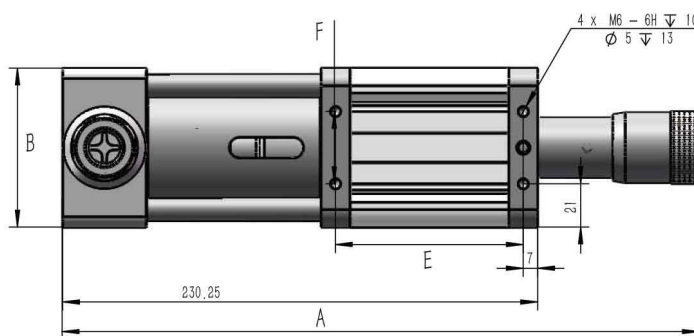
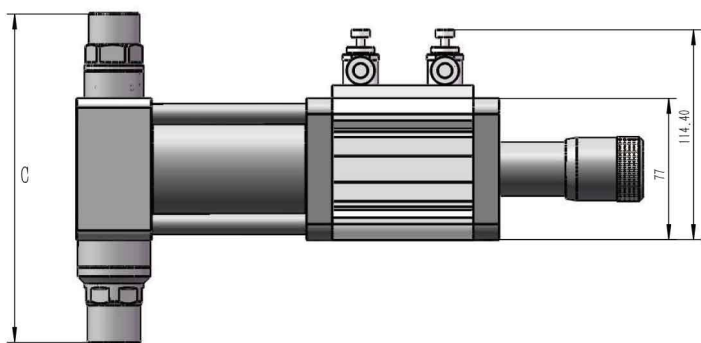
It can be used for supporting and transforming the filling part of the packaging machine. It is suitable for filling low-viscosity homogeneous liquid materials such as electrolytes, medicinal liquids, biochemical reagents, chemical liquids, essential oils, essences, and perfumes. It can be used with packaging equipment such as multi-station bag packing machines, multi-column packaging machines, and blister machines.



HB-50S

Parameter:

Model	Plunger diameter	Stroke	Volume ml	Accuracy	Speed CPM	Size of the pump(mm)						
						A	B	C	D	E	F	G
HB-10S	25	25	1-10	$\pm 0.5-1\%$	50-60	308.90	77	180	91	35	G1/2	M6
HB-30S	42		3-30			308.90	77	180	91	35	G1/2	M6
HB-50S	54		5-50			308.90	77	180	91	35	G1/2	M6
HB-100S	54	50	10-100			433.5	77	180	116	35	G1/2	M6
HB-200S	56	90	20-200			624	93	213	165	40	$\phi 50.50$	M6
HB-300S	70		30-300			624	93	213	165	40	$\phi 50.50$	M6





HBD-R系列 陶瓷泵总成

HBD-R Series Ceramic Pump Integration

HBD-R ceramic electric pump integration adopts precision ceramic plunger design, suitable for medium and high viscosity liquids, homogeneous creams (1000-100,000CPS) and quantitative perfusion of materials containing certain particles. The pump uses a servo screw to control the filling volume. It only needs to be set on the control screen without manual intervention. It has high measurement accuracy and repeat consistency, and the accuracy is better than $\pm 0.8\%$. The metal part in contact with the material is made of 316L stainless steel and ceramic, which has better corrosion resistance.

Application:

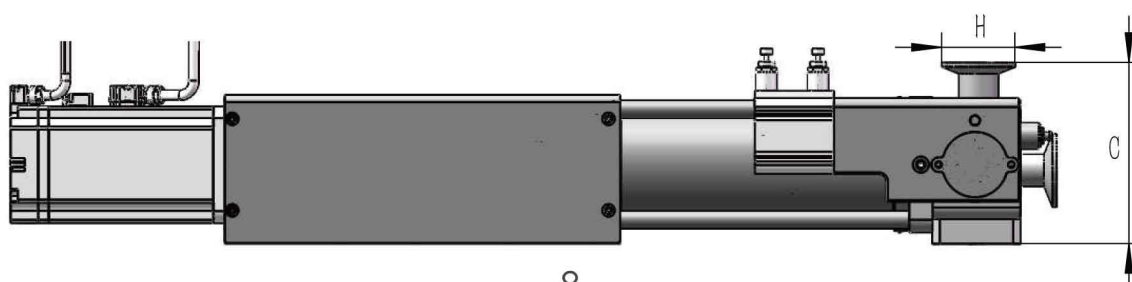
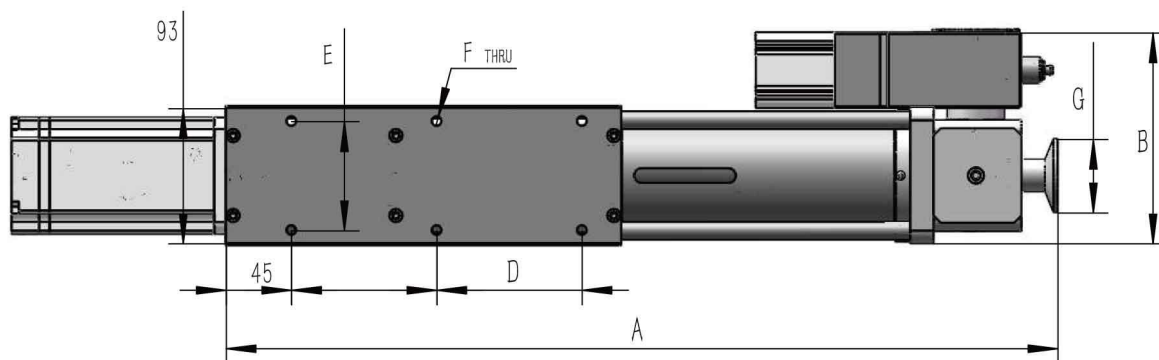
It can be used for supporting and transforming the filling part of the packaging machine. It is suitable for filling cream, honey, electrolyte, medicinal liquid, biochemical reagent, chemical liquid, essential oil, essence, lotion, perfume, nail polish and other medium and high viscosity homogeneous liquid materials. It can be used with multi-station bag packing machines, multi-column packaging machines, blister machines and other equipment.



HBD-100R

Parameter:

Model	Plunger diameter	Stroke	Volume ml	Accuracy	Speed CPM	Size of the pump(mm)							
						A	B	C	D	E	F	G	H
HBD-10R	25	25	1-10	$\pm 0.5-1\%$	30-45	417.4	133.5	112.2	110	60	$\phi 6.8$	$\phi 34$	$\phi 50.50$
HBD-30R	42		3-30			417.4	133.5	112.2	110	60	$\phi 6.8$	$\phi 34$	$\phi 50.50$
HBD-50R	54		5-50			417.4	133.5	112.2	110	60	$\phi 6.8$	$\phi 34$	$\phi 50.50$
HBD-100R	54	90	10-100		25-40	467.4	133.5	112.2	110	60	$\phi 6.8$	$\phi 50.50$	$\phi 50.50$
HBD-200R	56		20-200			572.50	149.5	123.2	100	75	$\phi 6.8$	$\phi 50.50$	$\phi 64$
HBD-300R	70		30-300			572.50	149.5	123.2	100	75	$\phi 6.8$	$\phi 50.50$	$\phi 64$



HBD-S ceramic electric pump integration adopts precision plunger design, suitable for quantitative perfusion of low-viscosity liquids. The pump uses a servo screw to control the filling volume. It only needs to be set on the control screen without manual intervention. It has high measurement accuracy and repeat consistency, and the accuracy is better than $\pm 0.8\%$. The metal part in contact with the material is made of 316L stainless steel and ceramic, which has better corrosion resistance.

Application:

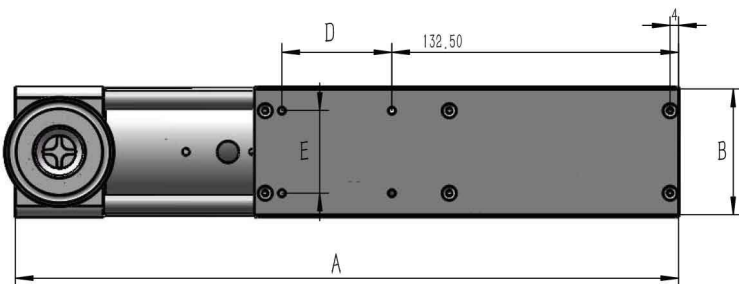
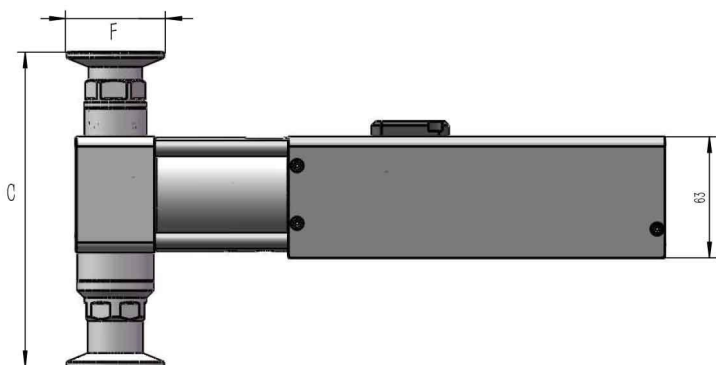
It can be used for supporting and transforming the filling part of the packaging machine. It is suitable for infusing low-viscosity homogeneous liquid materials such as electrolytes, medicinal liquids, biochemical reagents, chemical liquids, essential oils, essences, and perfumes. It can be used with packaging equipment such as multi-station bag packing machines, multi-column packaging machines, and blister machines.



HBD-50S

Parameter:

Model	Plunger diameter	Stroke	Volume ml	Accuracy	Speed CPM	Size of the pump(mm)						
						A	B	C	D	E	F	G
HBD-10S	25	25	1-10	$\pm 0.5-1\%$	30-40	346.5	77	180	110	60	G1/2	$\phi 6.8$
HBD-30S	42		3-30			346.5	77	180	110	60	G1/2	$\phi 6.8$
HBD-50S	54		5-50			346.5	77	180	110	60	G1/2	$\phi 6.8$
HBD-100S	54	50	10-100			396.5	77	180	110	60	G1/2	$\phi 6.8$
HBD-200S	56	90	20-200			505.5	96	213	100	75	$\phi 50.50$	$\phi 6.8$
HBD-300S	70		30-300			505.5	96	213	100	75	$\phi 50.50$	$\phi 6.8$





HBD-R小容量系列 陶瓷泵总成

HBD-R Series Ceramic Pump Integration-Micro Scale

HBD-R ceramic electric pump integration-Micro scale adopts precision ceramic plunger design, suitable for medium and high viscosity liquids, homogeneous creams (1000-100,000CPS) and quantitative perfusion of materials containing certain particles. The pump uses a servo screw to control the filling volume. It only needs to be set on the control screen without manual intervention. It has high measurement accuracy and repeat consistency, and the accuracy is better than $\pm 0.8\%$. The metal part in contact with the material is made of 316L stainless steel and ceramic, which has better corrosion resistance.

Application:

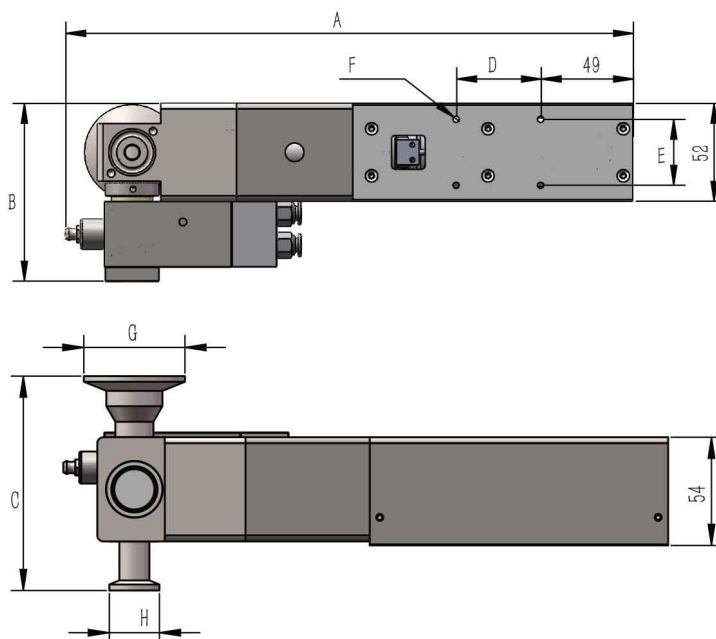
It can be used for supporting and transforming the filling part of the packaging machine. It is suitable for filling cream, honey, electrolyte, medicinal liquid, biochemical reagent, chemical liquid, essential oil, essence, lotion, perfume, nail polish and other medium and high viscosity homogeneous liquid materials. It can be used with multi-station bag packing machines, multi-column packaging machines, blister machines and other equipment.



HBD-0.6R

Parameter:

型号	柱塞直径	行程	灌装范围	灌装精度	循环速度	外形尺寸(mm)							
			ml			次/分	A	B	C	D	E	F	G
HBD-0.6R	8	25	0-0.63	$\pm 0.5-1\%$	30-45	302	94.5	107	45	35	4-M4	$\phi 50.50$	$\phi 25$
HBD-1R	11		0-1.2			302	94.5	107	45	35	4-M4	$\phi 50.50$	$\phi 25$
HBD-2R	16		0-2.5			302	94.5	107	45	35	4-M4	$\phi 50.50$	$\phi 25$
HBD-7R	19		0-7			302	94.5	107	45	35	4-M4	$\phi 50.50$	$\phi 25$





CBD-S系列 陶瓷泵总成

CBD-S Series Ceramic Pump Integration

The CBD-S ceramic electric pump assembly features a precision plunger design, suitable for metered filling of low-viscosity liquids, such as e-cigarette oil and electrolytes. This pump uses a servo screw to control the filling volume, requiring only settings on the control screen without manual intervention. It boasts high metering accuracy and repeatability, with an accuracy better than $\pm 0.8\%$. The parts in contact with the material are made of 316L stainless steel and ceramic, offering superior corrosion resistance.

Application:

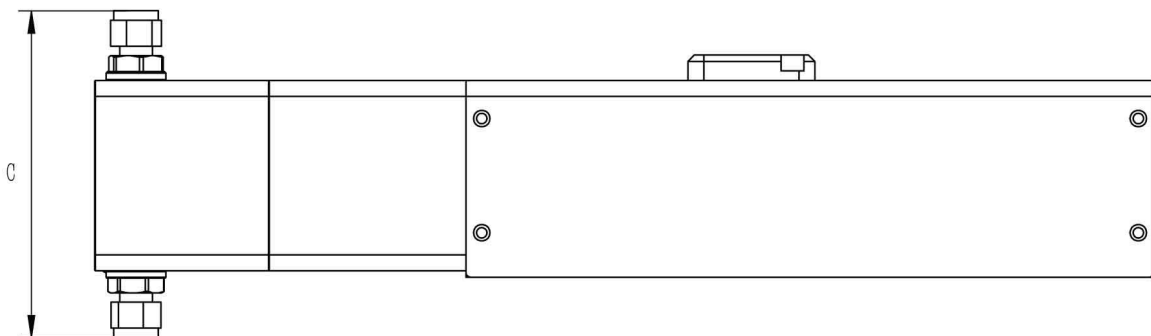
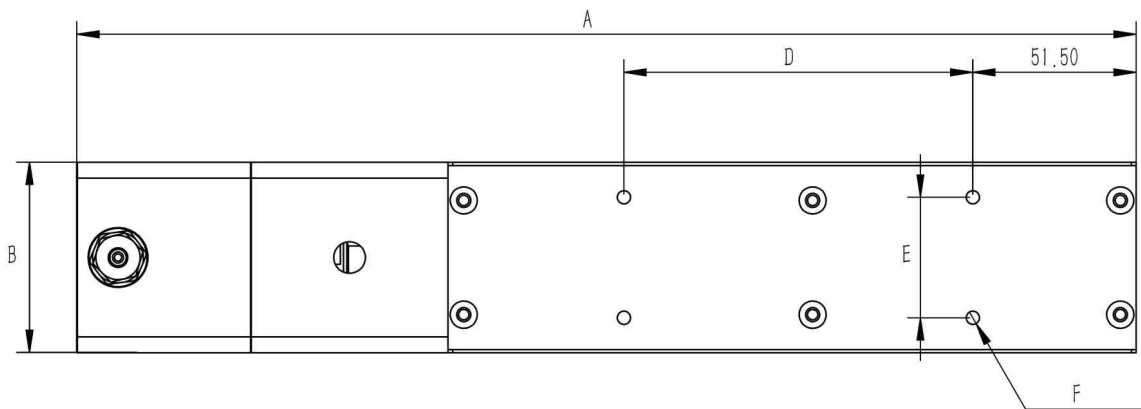
It can be used for supporting and transforming the filling part of the packaging machine. It is suitable for infusing low-viscosity homogeneous liquid materials such as electrolytes, medicinal liquids, biochemical reagents, chemical liquids, essential oils, essences, and perfumes. It can be used with packaging equipment such as multi-station bag packing machines, multi-column packaging machines, and blister machines.



CBD-10S

Parameter:

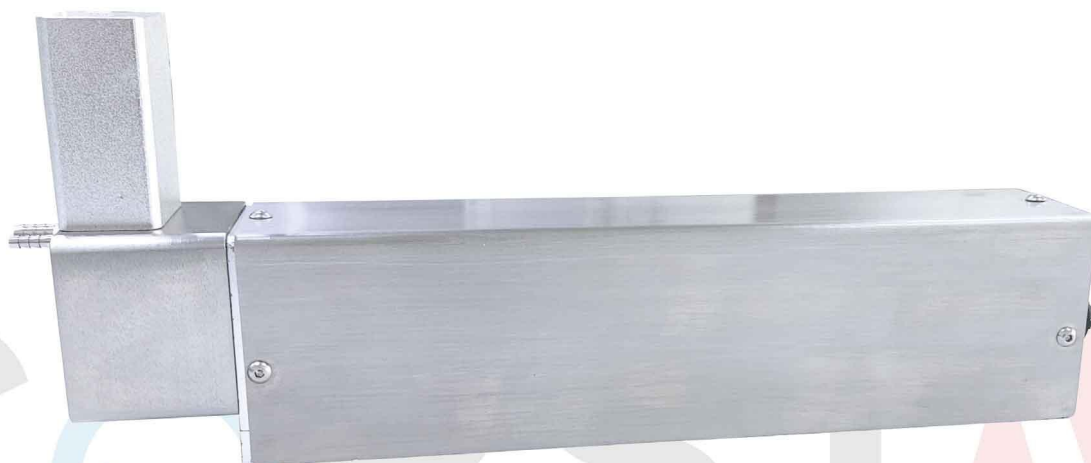
Model	Plunger diameter	Stroke	Volume ml	Accuracy	Speed CPM	Size of the pump(mm)					
						A	B	C	D	E	F
CBD-10S	8	25	1-10	$\pm 0.5-1\%$	30-45	334	60	103	110	38	$\phi 4.2$
CBD-30S	11		3-30			334	60	103	110	38	$\phi 4.2$
CBD-50S	16		5-50			334	60	103	110	38	$\phi 4.2$



The CBD-DS ceramic electric pump assembly features a precision plunger design, suitable for metered filling of low-viscosity liquids, such as e-cigarette oil and electrolytes. This pump uses a servo screw and electrically controlled valve to control the filling volume, requiring only screen settings and no manual intervention. It boasts high metering accuracy and repeatability, with an accuracy better than $\pm 0.8\%$. The parts in contact with the material are made of 316L stainless steel and ceramic, offering superior corrosion resistance.

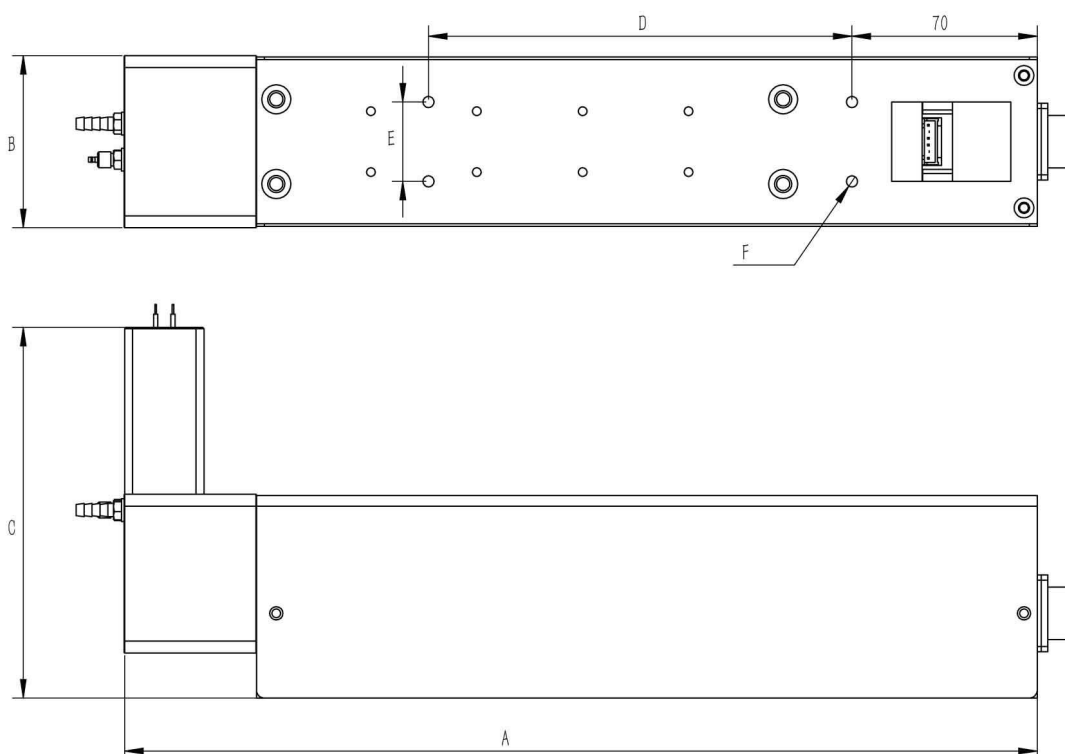
Industry Applications:

It can be used as a component in or to upgrade the filling section of packaging machines. Suitable for filling low viscosity homogeneous liquids such as electrolytes, pharmaceuticals, biochemical reagents, chemical liquids, essential oils, serums, and perfumes. It can be used with multi-station bagging machines, multi-row packaging machines, blister packing machines, and other packaging equipment.



Parameter:

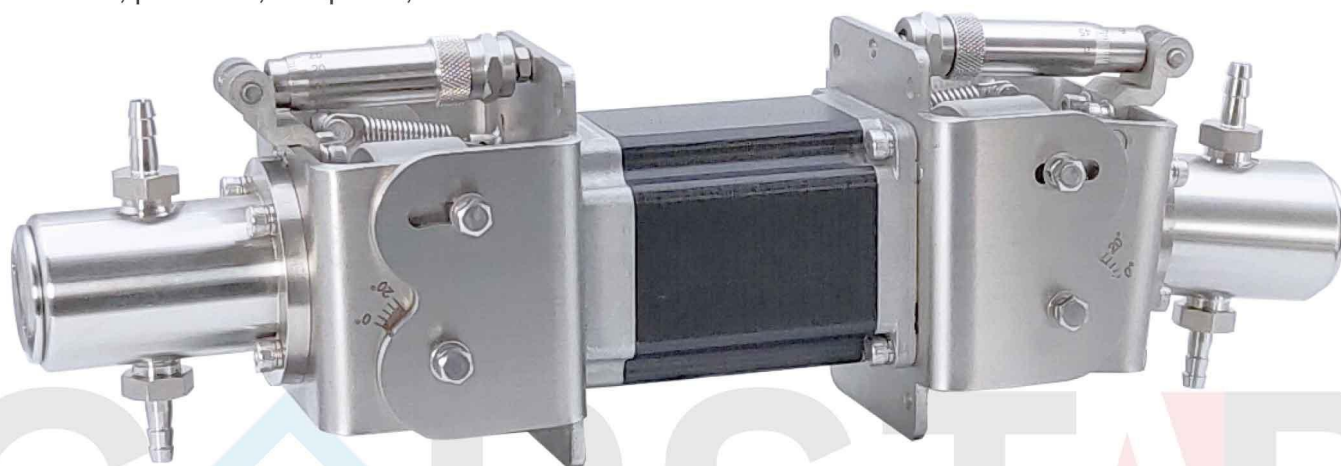
Model	Plunger diameter	Stroke	Volume ml	Accuracy	Speed CPM	Size of the pump(mm)					
						A	B	C	D	E	F
CBD-10DS	8	25	1-10	$\pm 0.5-1\%$	30-45	344.80	65	140	160	30	4-M5
CBD-30DS	11		3-30			344.80	65	140	160	30	4-M5
CBD-50DS	16		5-50			344.80	65	140	160	30	4-M5



X2-D Series Ceramic Pump Integration is a type of precision metering pump that utilizes the rotary motion of a plunger to meter or deliver chemical liquids and high-purity fluids with high accuracy and repeatability. The axial linear motion is generated based on the adjustable pump head angle during the plunger's rotation, enabling precise stroke adjustment to control input and output. This series of metering pumps achieves a very high level of metering accuracy and repeatability, with an accuracy better than $\pm 0.5\%$.

Application:

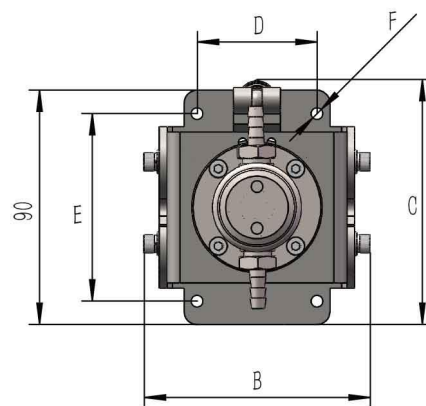
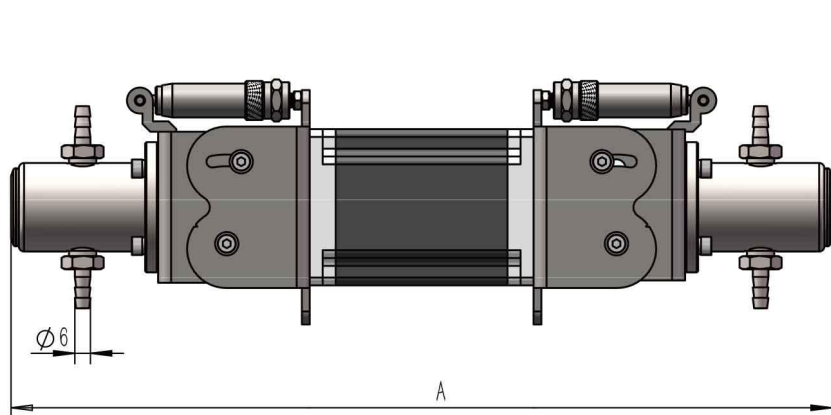
Suitable for packaging machine filling and retrofitting, and suitable for filling low to medium viscosity homogeneous liquid materials such as electrolytes, medicine, biochemical reagents, chemical fluids, essential oils, liquid essences, emulsions, perfumes, nail polish, etc.



X2-D12

Parameter:

Model	Filling range	Accuracy	Speed RPM	Motor	Power	Sensor	Size of the pump(mm)					
							A	B	C	D	E	F
X2-D03	4ul~80ul	$\pm 2ul$	0-200	42 type	AC220V 50/60Hz	5~24V NPN	218.72	53.4	75	28	65	4- $\phi 4.3$
X2-D06	10~140ul						218.72	53.4	75	28	65	4- $\phi 4.3$
X2-D09	20~240ul						218.72	53.4	75	28	65	4- $\phi 4.3$
X2-D12	50~700ul	$\pm 5ul$	0-200	57 type	AC220V 50/60Hz	5~24V NPN	315.84	75	90	46	72	4- $\phi 4.5$
X2-D15	0.2~1.5ml						315.84	75	90	46	72	4- $\phi 4.5$
X2-D18	0.2~2.9ml	$\pm 0.5\%$	0-120	57 type	AC220V 50/60Hz	5~24V NPN	440.6	94	115	66	92	4- $\phi 5.5$
X2-D21	0.6~6ml						440.6	94	115	66	92	4- $\phi 5.5$



X2-L-N Series Ceramic Pump Integration is a type of precision metering pump that utilizes the rotary motion of a plunger to meter or deliver chemical liquids and high-purity fluids with high accuracy and repeatability. The axial linear motion is generated based on the adjustable pump head angle during the plunger's rotation, enabling precise stroke adjustment to control input and output. This series of metering pumps achieves a very high level of metering accuracy and repeatability, with an accuracy better than $\pm 0.5\%$.

Application:

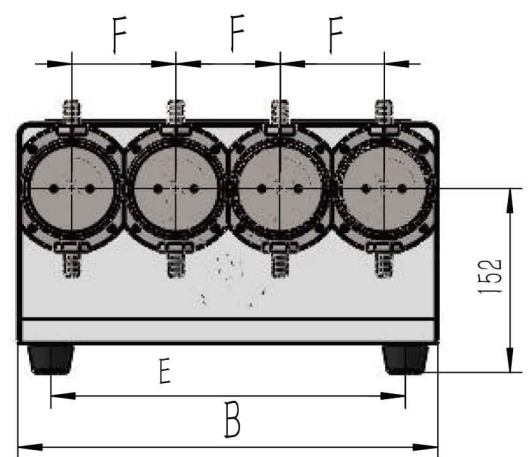
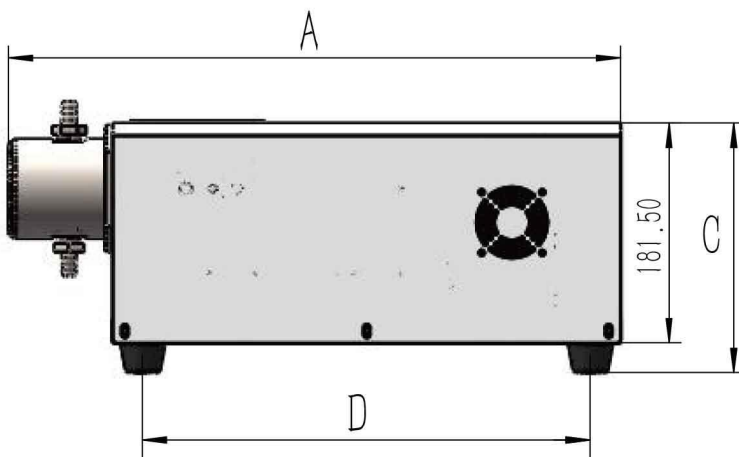
Suitable for packaging machine filling and retrofitting, and suitable for filling low to medium viscosity homogeneous liquid materials such as electrolytes, medicine, biochemical reagents, chemical fluids, essential oils, liquid essences, emulsions, perfumes, nail polish, etc.



X2-4L-30

Parameter:

Model	Filling range	Accuracy	Speed RPM	Motor	Servo Motor	Power	Sensor	Size of the pump(mm)					
								A	B	C	D	E	F
X2-4L-03	4ul~80ul	±2ul	35-40	42 type	400W 60 type	AC220V 50/60Hz	5~24V NPN	460	347	206	370	293	86
X2-4L-06	10~140ul							460	347	206	370	293	86
X2-4L-09	20~240ul	±5ul		60 type				460	347	206	370	293	86
X2-4L-12	50~700ul							480	347	206	370	293	86
X2-4L-15	0.2~1.5ml	±0.5%		60 type				480	347	206	370	293	86
X2-4L-18	0.2~2.9ml							506	347	206	370	293	86
X2-4L-21	0.6~6ml							506	347	206	370	293	86
X2-4L-24	1~12ml			86 type				506	347	206	370	293	86
X2-4L-27	2~25ml							506	347	206	370	293	86
X2-4L-30	5-40ml							506	347	206	370	293	86





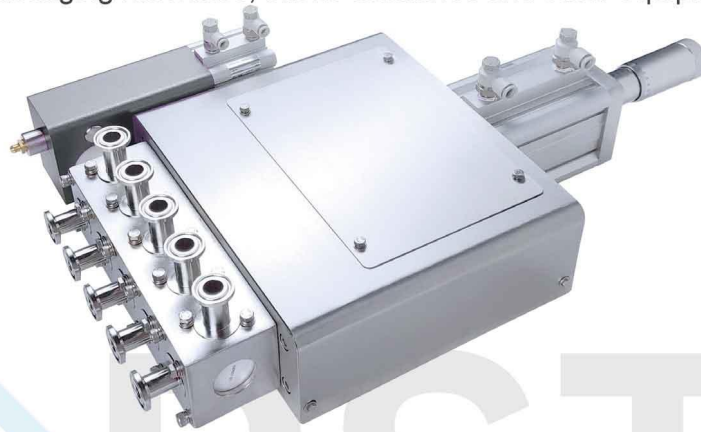
HB-RN系列 多列式陶瓷泵总成

HB-RN Series Multi-Column Ceramic Pump Integration

HB-RN multiple-column ceramic pneumatic pump integration adopts precision ceramic plunger design, suitable for medium and high viscosity liquids, homogeneous creams (1000-100,000CPS) and quantitative perfusion of materials containing certain particles. The pump has high metering accuracy and repeatability, with an accuracy better than $\pm 0.8\%$. The metal part in contact with the material is made of 316L stainless steel and ceramic, which has better corrosion resistance.

Industry application:

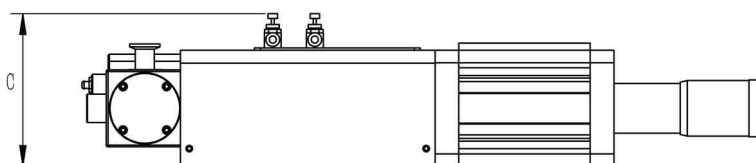
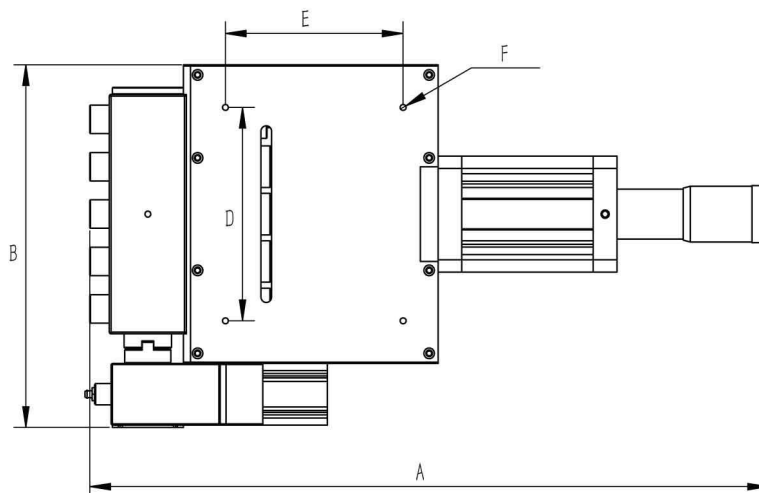
It can be used for supporting and transforming the filling part of the packaging machine. It is suitable for cream, honey, electrolyte, medicinal liquid, biochemical reagent, chemical liquid, essential oil, essence, lotion, perfume, nail polish and other medium and high viscosity homogeneous liquid materials. It can be used with multi-station bag packing machines, multi-row packaging machines, blister machines and other equipment.



HB-50R5

Parameter

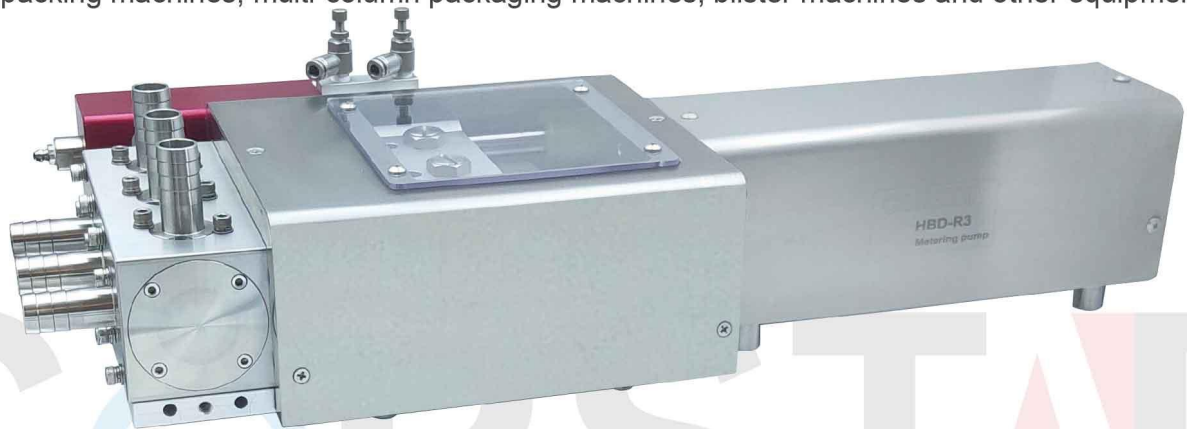
Model	Plunger diameter	Stroke	Volume ml	Accuracy	Speed CPM	Size of the pump(mm)					
						A	B	C	D	E	F
HB-10R5	20	50	1-10	$\pm 0.5-1\%$	30-45	573	306	128.8	180	150	4-M6
HB-30R5	30		3-30			573	306	128.8	180	150	4-M6
HB-50R5	38		5-50			573	306	128.8	180	150	4-M6



HBD-RN Series Multi-Column Ceramic Pump Integration adopts precision ceramic plunger design, suitable for medium and high viscosity liquids, homogeneous creams (1000-100,000CPS) and quantitative perfusion of materials containing certain particles. The pump uses a servo screw to control the filling volume. It only needs to be set on the control screen without manual intervention. It has high measurement accuracy and repeat consistency, and the accuracy is better than $\pm 0.8\%$. The metal part in contact with the material is made of 316L stainless steel and ceramic, which has better corrosion resistance.

Application:

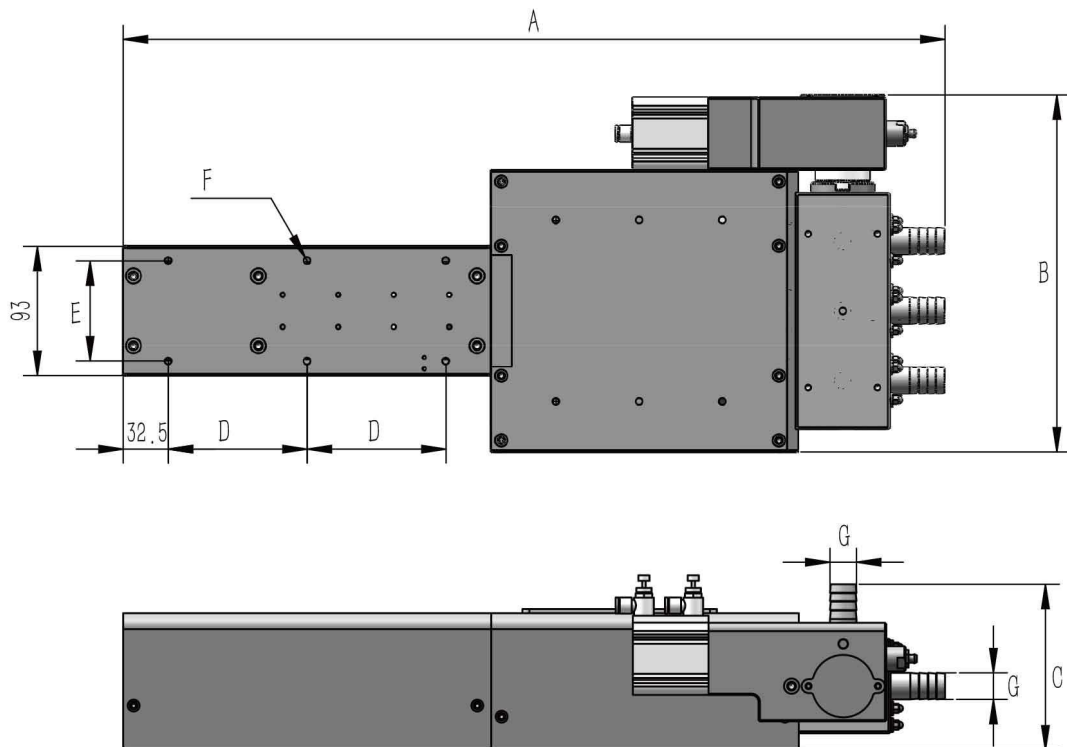
It can be used for supporting and transforming the filling part of the packaging machine. It is suitable for filling cream, honey, electrolyte, medicinal liquid, biochemical reagent, chemical liquid, essential oil, essence, lotion, perfume, nail polish and other medium and high viscosity homogeneous liquid materials. It can be used with multi-station bag packing machines, multi-column packaging machines, blister machines and other equipment.



HBD-R3

Parameter:

Model	Plunger diameter	Stroke	Volume ml	Accuracy	Speed CPM	Size of the pump(mm)						
						A	B	C	D	E	F	G
HBD-10R3	20	50	1-10	$\pm 0.5-1\%$	30-45	592	257	119	100	72	6-M6	$\phi 19$
HBD-30R3	30		3-30			592	257	119	100	72	6-M6	$\phi 19$
HBD-50R3	38		5-50			592	257	119	100	72	6-M6	$\phi 19$



The XQGN series of custom-designed filling nozzles are ideal for dispensing pastes and liquids in the food, cosmetics, and pharmaceutical industries, effectively preventing drips. This series is available in a variety of sizes and can be customized to your specific needs.

Product Features

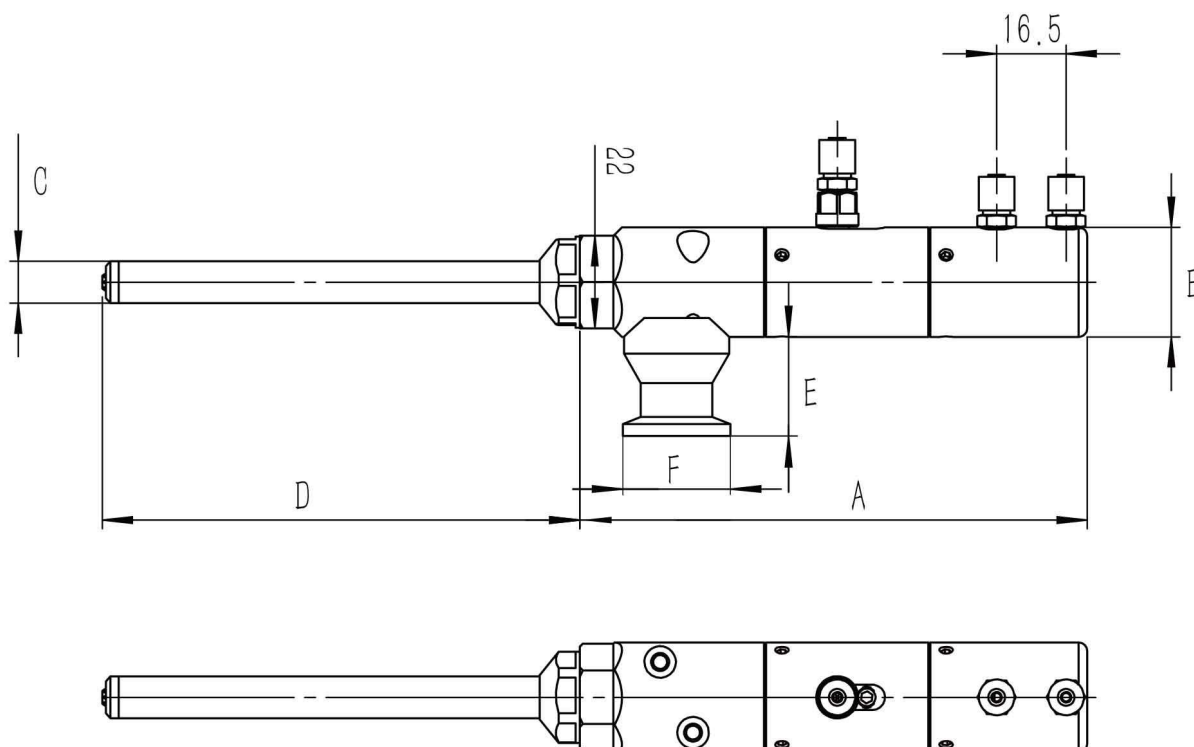
1. Customizable external plugging, internal plugging, air blowing, or back suction functions to achieve drip-free filling, depending on the application scenario.
2. The material in contact with the material is made of SUS316 stainless steel, featuring a simple and quick-assembly structure.
3. Length, thickness, and inlet flange size can be customized according to customer needs.



CYZ-12-600

Parameter:

Model	Air tube size	Size of the nozzle(mm)					
		A	B	C	D	E	F
CYZ-8	φ4/6	120.5	26	8	Customizing (800MAX)	Customizing	Customizing
CYZ-10		120.5	26	10			
CYZ-12		120.5	26	12			
CYZ-14		120.5	26	14			
CYZ-16		120.5	26	16			





X2-21-N is a filling equipment that integrates X2 series ceramic pumps and control systems. It can be used directly or matched with packaging equipment, especially for cosmetics, pharmaceuticals, medicine and other industries.

Parameter:

Model	X2-21-10	X2-21-N
Parameter	Refer to X2 PUMP	
Heads	10	Customizing
Power	AC 220V 50/60Hz (Or 110V)	
Size	1060*490*425 mm	As design
Configuration	Customizing	

Q-50R-6 is a filling equipment that integrates Q-R series ceramic pumps and large-capacity hoppers. It can be equipped with a control system according to requirements, and is widely used in automatic packaging equipment for various cream materials.

Parameter:

Model	Q-50R-6	Q-50R-N
Parameter	Refer to Q-R Integration	
Heads	6	Customizing
Power	0.5-0.7 Mpa	
Size	615*800*790 mm	As design
Configuration	Customizing	



HBD-10R-6 is a filling equipment that integrates Q-R series ceramic pumps and large-capacity hoppers. It can be equipped with a control system according to requirements, and is widely used in automatic packaging equipment for various cream materials.

Parameter:

Model	HBD-10R-6	Q-10R-N
Parameter	Refer to HBD-R Integration	
Heads	6	Customizing
Power	0.5-0.7 Mpa	
Size	615*800*790 mm	As design
Configuration	Customizing	





陶瓷柱塞泵套件, 可根据要求定制

常用规格

80ul, 140ul, 280ul, 600ul, 1.5ml, 2.9ml, 6ml, 12ml, 25ml

材质

陶瓷部分: 高纯度氧化铝、氧化锆、碳化硅等

金属部分: 316L不锈钢

用于陶瓷灌注泵制造以及其他类型泵的升级改造

Ceramic pump kit

Customizable as required

Common sizes:

80ul, 140ul, 280ul, 600ul, 1.5ml, 2.9ml, 6ml, 12ml, 25ml

Material:

Ceramic parts: high purity alumina(Al_2O_3), zirconia(ZrO_2), silicon carbide(SiC), etc.

Metal part: 316L stainless steel

Suitable for ceramic pump manufacturing and upgrading

陶瓷转阀套件

可根据要求定制

常用规格: $\phi 12mm$, $\phi 25mm$ through hole

材质

陶瓷部分: 高纯度氧化铝、氧化锆等

金属部分: 316L不锈钢

用于柱塞灌注泵的配套以及升级改造

Ceramic valve kit,

Customizable as required

Common sizes: $\phi 12mm$, $\phi 25mm$ through hole

Material:

Ceramic parts: high purity alumina(Al_2O_3), zirconia(ZrO_2), etc.

Metal part: 316L stainless steel

Suitable for piston pump manufacturing and upgrading



陶瓷柱塞三件套

可根据要求定制

常用规格: 0.2~2ml, 0.5~5ml, 1~10ml, 1~12ml, 3~30ml

材质:

陶瓷部分: 高纯度氧化铝、氧化锆、碳化硅等

金属部分: 316L不锈钢

用于陶瓷灌注泵制造以及其他类型泵的升级改造

Ceramic pump kit

Customizable as required

Common sizes: 0.2~2ml, 0.5~5ml, 1~10ml,

1~12ml, 3~30ml

Material:

Ceramic parts: high purity alumina(Al_2O_3), zirconia (ZrO_2), silicon carbide(SiC), etc.

Metal part: 316L stainless steel

Suitable for ceramic pump manufacturing and upgrading





陶瓷柱塞泵套件，可根据要求定制
 常用规格：1~12ml，2~25ml，5-50ml
 材质
 陶瓷部分：高纯度氧化铝、氧化锆等
 金属部分：316L不锈钢
 用于陶瓷灌注泵制造以及其他类型泵的升级改造

Ceramic pump kit, Customizable as required
 Common sizes: 1~12ml, 2~25ml, 5-50ml
 Material:
 Ceramic parts: high purity alumina(Al_2O_3), zirconia(ZrO_2), silicon carbide(SiC), etc.
 Metal part: 316L stainless steel
 Suitable for ceramic pump manufacturing and upgrading

陶瓷柱塞泵套件

可根据要求定制
 常用规格：
 80ul, 140ul, 40ul, 700ul, 1.5ml, 2.9ml, 6ml, 12ml, 25ml
 材质
 陶瓷部分：高纯度氧化铝、氧化锆、碳化硅等
 金属部分：316L不锈钢
 用于陶瓷灌注泵制造以及其他类型泵的升级改造

Ceramic pump kit
 Customizable as required
 Common sizes:
 80ul, 140ul, 40ul, 700ul, 1.5ml, 2.9ml, 6ml, 12ml, 25ml
 Material:
 Ceramic parts: high purity alumina(Al_2O_3), zirconia (ZrO_2), silicon carbide(SiC), etc.
 Metal part: 316L stainless steel
 Suitable for ceramic pump manufacturing and upgrading



多通道型陶瓷转阀套件，可根据要求定制
 常用规格：3-4通道
 用于陶瓷灌注泵制造以及其他类型泵的升级改造
 材质
 陶瓷部分：高纯度氧化铝、氧化锆等
 金属部分：316L不锈钢
 用于陶瓷灌注泵制造以及其他类型泵的升级改造

Ceramic pump rotary valve kit, OEM service
 Common sizes: 3 to 4 channels
 Suitable for ceramic filling pump manufacturing and upgrading of other types of pumps
 Material:
 Ceramic parts: high purity alumina(Al_2O_3), zirconia (ZrO_2), silicon carbide(SiC), etc.
 Metal part: 316L stainless steel
 Suitable for ceramic pump manufacturing and upgrading





CORSTAR

柯斯达流体技术(佛山)有限公司
Corstar Fluid Technology(Foshan) Co., Ltd.

地址：佛山市南海区狮山镇罗村新光源产业基地

Add: Luocun New Light Source Industrial Base, Shishan Town, Nanhai District, Foshan City.

网址 (Website) : [Https://www.corstarfluid.com](https://www.corstarfluid.com)

电子邮箱 (E-mail) : corstarfluid@aliyun.com